

herbalAire H2.1 – Operating Manual

READ AND SAVE THESE INSTRUCTIONS



Features

- Temperature Control board – set temperatures between 250F-400F or 125C-200C
- Tri-Colored Temperature Light – indicates when desired temperatures have been reached
- Automatic shutdown – after 30 minutes
- Quad functionality – 1. Potpourri 2. Direct 3. Whip 4. Bag Fill
- Extra long cord
- Durable safe hi-tech materials. Body's composition is a sophisticated blend of glass and nylon.
- Easy to clean
- Easy to operate

Disclaimers

1. The herbalAire is for persons 18 years of age or older. It is the responsibility of the herbalAire customer to understand the laws of his/her country.
2. It is the user's responsibility to research and understand the effects various herbs can have on their body including and not limited to allergic reactions, effects on the circulatory system, psychological effects and their physical ability to do daily activities.
3. The herbalAire is not licensed as a medical device. It is therefore not designed or recommended for use as a medical device.
4. HerbalAire will not assume any liability for injury or damages resulting from use of the HerbalAire not in compliance with the instructions/advisories included in the user manual. It is your responsibility to understand the risks and effects of vaporizing various herbs.
5. This device is not intended for illegal drug use.
6. Studies show, devices like the herbalAire reduce the amount of combusted material entering the lungs, making it an alternative to tobacco smoking. herbalAire is not a smoking cessation device. Tobacco use with the herbalAire still has inherent health risks.
7. It is the responsibility of the herbalAire user to ensure the product is free from any contamination including, but not limited to, viruses, residues that may cause allergic reactions, dirt and debris, bacteria and other pathogens.
8. Our products are provided "As-Is" and are used by you at your own risk.
9. Under no circumstances will herbalAire accept liability for the actions, including loss of profits, by the users of this product, even if herbalAire has been advised of these potential losses. At all times and under all circumstances, herbalAire's liability is held to the total amount paid for any product purchased by the customer involved.

Safeguards

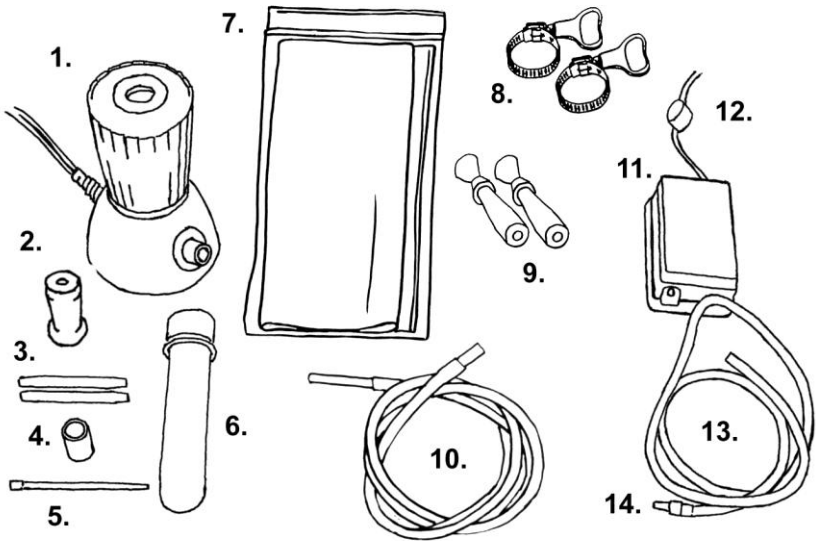
1. To protect against electric shock do not operate the herbalAire near water or other liquids. Never immerse the herbalAire, cord or plug in water or liquids.
2. Never dismantle the herbalAire – it may cause electric shock.
3. Do not use or leave near children.
4. ALWAYS unplug the herbalAire from any power source when not in use and before cleaning. Allow time to cool before taking off mouthpieces and before cleaning.
5. Do not operate the herbalAire unit with a damaged cord or plug, or after the appliance malfunctions or has been dropped or damaged in any manner. Contact the manufacturer for information on repairs.
6. Risk of burn from the large mouthpiece, top of the unit and the crucible where each part comes into contact with the unit.
7. Unplug the herbalAire unit by pulling on the plug and not the cord.
8. The use of accessory attachments not supplied by herbalAire may cause injuries and/or void the warranty
9. Do not use in or around humid, damp environments such as sinks, hot tubs, bathtubs or saunas.
10. Ensure that the location of the power cords do not create a potential hazard.
11. Only use the herbalAire for its intended use.
12. This herbalAire is designed for either 110V North American power, or 220V power outlets -- but NOT both.
13. Exercise care in the use of the herbalAire – operating temperatures are from 250°F to 400°F (125°C-200°C).

Keep the herbalAire and accessories out of the reach of children. Warning - choking hazard. Mouthpieces, tool and the herbalAire is not intended for use by anyone under 18 years of age.

<p>WARNING – ALWAYS TAKE A TEST SIP BEFORE TAKING A LARGE INHALE FROM THE HERBALAIRE OR BAGS TO ENSURE THE TEMPERATURE YOU SELECTED PROVIDES A COMFORTABLE VAPOR DENSITY.</p>

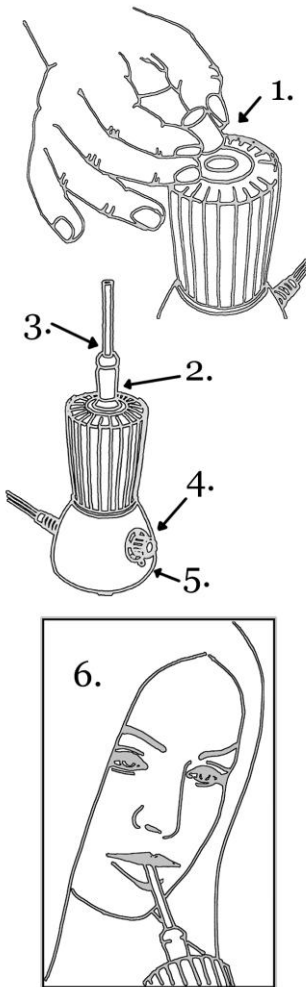
Included with the herbalAire H2.1

Make sure you have received the following items in the package. If any of these items are missing or damaged, contact herbalAire at info@herbalaire.com.



1. herbalAire H2.1
2. Main Mouthpiece Teflon
3. Mouthpiece Extensions Teflon
4. Drop In Crucible
5. Cleaning Tool
6. Cleaning/Storage Tube
7. Bags
8. Bag Clamps
9. Bag Mouthpieces
10. Whip
11. Pump
12. Pump Switch
13. Pump Tubing
14. Connector (fits into the back of the herbalAire)

Direct Inhalation Set-Up



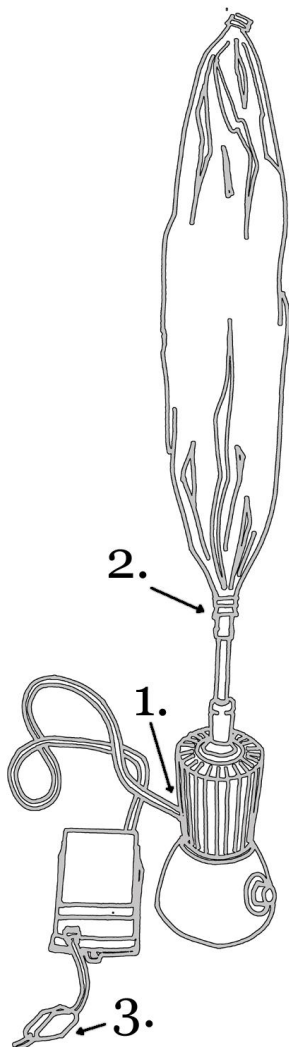
1. Place your herb of choice into the crucible of the herbalAire. Start experimenting with small quantities i.e. a "pea" sized sample. **Do not grind the herbs before putting them into the herbalAire.** The herbalAire will vaporize all active ingredients within the herb, even those without an exposed surface.
2. Insert the main mouthpiece of the herbalAire. This mouthpiece was designed to fit in easily when the unit is cool. As the herbalAire heats this mouthpiece expands slightly, creating a tight seal.
3. Insert the mouthpiece extensions into the main mouthpiece by rotating during insertion until resistance is felt.
4. Plug in the herbalAire and turn the temperature knob to the desired temperature. (Red LED "on" indicator lights glow from under the herbalAire)
5. The tri-colored LED will change to amber when the desired temperature is achieved. The light will turn green when the actual temperature is below the selected temperature. (Too cool) The light will turn red when the actual temperature is above the selected temperature. (Too hot)
6. When the light is amber slowly inhale through the mouthpiece extension. The air will be much smoother than smoking (no combustion) making it important only to inhale half as much as you would when burning the herb. Be careful that the back air intake tube remains uncovered. It is normal operation when the light cycles between the colors as the herbalAire maintains the selected temperature.

FOR MOST HERBS, START IN THE LOW 165°C/330°F RANGE. HERBALAIRE TECHNOLOGY PROVIDES VAPORIZATION AT THESE REMARKABLY LOW TEMPERATURES. HIGHER TEMPERATURES WILL PRODUCE A DENSER VAPOR BUT MAY BE HARSHER.

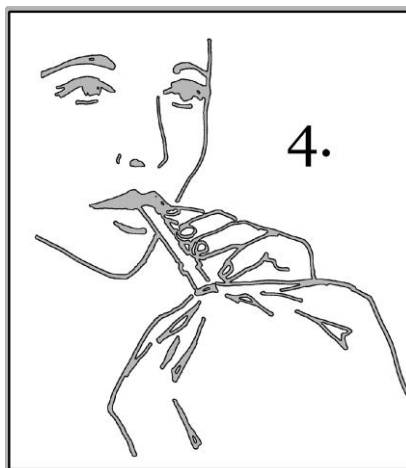
THE HERBALAIRE HAS AN AUTOMATIC SHUTDOWN FEATURE. THE UNIT WILL SHUTDOWN AND BLINK GREEN 30 MINUTES FROM THE LAST TIME THE DIAL IS ADJUSTED. SIMPLY TURN THE DIAL OFF AND BACK ON TO RESET.

- **Bag Fill Set-Up**

First follow the Direct inhalation instructions on the previous page



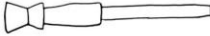
1. Insert one end of the tubing into the air outlet on the air pump and the other end with the connector into the air intake hole on the back of the herbalAire.
2. Connect the ready bag mouthpiece onto the end of the mouthpiece extension while pressing and using a twisting motion.
3. Turn on the air pump with the switch on the cord.
4. Watch the bag fill with potent vapors. Remove the bag when it is full. **Caution:** Avoid over-filling the bag. As you enjoy the first bag, place the second ready bag onto the herbalAire.



CAUTION – KEEP THE READY BAGS AND ALL HERBALAIRE ACCESSORIES OUT OF THE REACH OF CHILDREN. SMALL PARTS POSE A CHOKING HAZARD TO YOUNG CHILDREN. REMEMBER, PLASTIC BAGS ARE A POTENTIAL SUFFOCATION HAZARD.

Bag Assembly Instructions

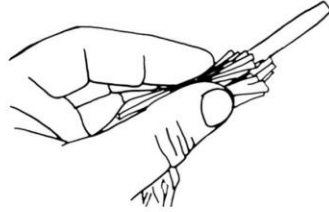
A.



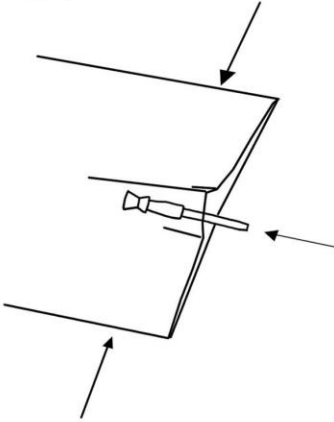
Assemble mouthpiece and extension in this manner

C.

Gather the folds of the bag as illustrated



B.



Place the bag on a flat surface and insert the assembly into the open end. Insert up to 1/2 of the extension. Scrumple the bag as indicated by the arrows.

D.



Slip the ring of the clamp over the folds and position on the "V" indent of the mouthpiece. Turn wing nut in a clockwise manner to tighten. Excess material can be folded back or trimmed.

Cleaning the herbalAire

- Ensure the herbalAire is unplugged and has had adequate time to cool.
- Mouthpieces, extensions and crucibles should be cleaned using rubbing (isopropyl) alcohol. We recommend placing the parts back into the plastic storage/cleaning tube provided together with rubbing alcohol 1/3 full, replace the cap, and shake, swirl and tap the container.
- To empty the core turn the unit upside down and allow the crucible (if used) to fall out. **Caution:** The crucible can still be hot. The end of the cleaning tool works well to loosen the "spent herb". If required, use rubbing alcohol on paper towel or cloth to wipe the inside of the core. Never pour liquids into the core. This could lead to injury and/or voids the warranty.
- The glass-nylon body of the herbalAire can be cleaned with a damp cloth. Never immerse the glass-nylon body in water or other liquids.

ENSURE ADEQUATE TIME TO DRY AND DO NOT OPERATE THE HERBALAIRE AROUND WATER, RUBBING ALCOHOL OR OTHER LIQUIDS.

3 Year Warranty

herbalAire warrants this product to be free from defects in material, operation and workmanship for a period of three (3) years from the date of original purchase, unless otherwise noted. This warranty extends only to the original customer (purchaser) and does not cover damage due to abuse, neglect, use for commercial purposes or any other use not found in the user's manual. herbalAire disclaims any responsibility for consequential damages or incidental losses caused by use of this product. Any attempt to take the herbalAire apart voids this warranty.

Need Help or Information?

Please see our website, www.herbalaire.com or contact us by email at info@herbalaire.com. Please make note of the model and serial number.