

U T O P I A P L A N I T I A

SR-71

USER GUIDE



HERCULES SR-71 USER GUIDE

INTRODUCTION

Our philosophy is to improve and always strive to go forward. We use ceramic heaters instead of the more industry standard heating wire design for many reasons.

Theory:

We know that heating wire is the industry standard and because it's the easiest type to research it is also the fastest way to make vapor clouds. It might be the easiest and fastest but it is not the best when it comes to vaporizing. Vaporization is best when the heat is applied equally to your material as to raise the temperature to the point of vaporization and not the point of combustion. With heating wires or coil designs flash vaporization is the process that instantly vaporizes the essential oil. This works wonders if you can control the temperature, but since this is not the case and that heating wires glow red hot within a second or two what this means is oil is also burning along with being vaporized, how you may ask, well hold the button long enough and it will get the burn't taste, well this is what is called a hybrid smoke/vapor. Many if not all herbal vaporizers use a heater that brings the temperature to a point of vaporization, why can't we use the same with essential oil vaporizers? Well like we said easiest way is on/off method with the heating wire type vaporizers or you can strive with us for something revolutionary that takes some getting used to, but provides you with better results.

Our Reasoning:

Almost all the herbal vaporizers increase the temperature steadily until it is where it needs to be for vaporizing herbs, why can't we use it with oils? Well we can but we will get to that in a few, for now let's talk about our cartridges. With our cartridge design we started an industry that is now populated with more knock offs and rebrands of the same device or design than any other industry, ok so moving on we noticed that while oil was being vaporized it was also slightly burning if pressed for too long and the residue left behind even on clean essential oils was that of oils being burned. That is why many manufacturers if not all will ask you to boil it, ISO baths and even torch sessions to burn off everything the heater cant vaporize. This is the issue with pen style vaporizers they use heaters that are built for the ecig industry that are used for vaporizing liquid that is a lot more viscous easier to wick up and lower vaporizing temps. Users in the ecig industry do not use 10-30 second pulls as the essential oil market does, this is the reason why these types of heaters don't work well in the essential oil industry. Taking this into consideration we thought about it and decided what if we can build an essential oil vaporizer that is not the industry standard but the future of the industry. Well that is big dream from a little company because of many others going against evolution with their glass rods, better parts (polish a turd it's still a turd we say) or claims of being the best bla bla bla. Well we are going to try at least. All units no matter what will leave residue some you can clean some you can try to clean. When this residue is left behind and its being cooked over and over again, this is creating smoke not vapor with many other harmful elements all mixed with your vapor aka hybrid vapor (smoke/vapor). Now why would anyone want to vaporize but settle for hybrid vapor?

Our Solution:

The solution is the Hercules SR-71, with the SR we have removed all heating wires, what this does is not just go against the industry standard and push the envelope but also increases performance, vapor quality, quantity, and best of all a device that is built from the ground up to vaporize oils and not a cross over from the electronic cigarette market.

1. We removed the ecig type heaters thus removing any hybrid vapor (temp is user controlled now)
2. We removed the silica wick and or glass rods (for a small few who think it's a glass rod)
3. We removed all solder
4. We removed all wires of any kind. (No more ni-chrome 80 wire)
5. We removed all silicone
6. We also added an option for a Nibbler XL (no more drops of water to cool it down)
7. We use only quality parts that we sourced for the Hercules
8. Built tough to withstand daily use.

Simply put the Hercules SR – 71 is everything that vapor enthusiast needs.

1. You can load as you go if you wish
2. You can have pre - loaded tanks or coils
3. You can load a gram easily
4. You can recover all your oil
5. You can boil it, or iso bath it
6. You can service your own device so no more down time
7. One Year warranty against manufacturers defects (including heater)





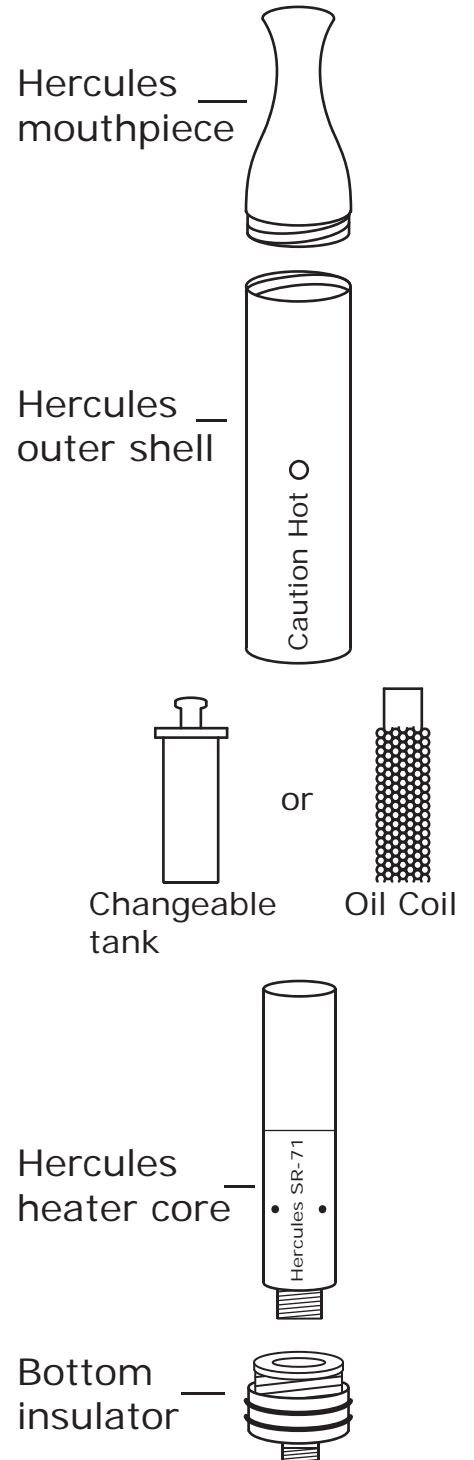
HERCULES SR-71 USER GUIDE

Hercules SR-71 Essential Oil and Herb Vaporizer Cartridge is the industry leading, loose leaf and essential oil cartridge made from medical grade components. Now you can change out your essential oil and herbal blends within seconds without the need to wash out and clean the unit, by using our innovative Oil Coil and changeable tank technology.

INCLUDED IN YOUR KIT

- 1 x 7.4 volt Hercules Heater Core
- 1 x All Black Hercules Outer Shell
- 1 x All Black Teflon Mouthpiece with Stainless Steel Screen
- 1 x All Black Teflon Bottom Insulator
- 2 x Oil Coil
- 1 x Cleaning Brush
- 1 x Hercules User Guide

EXPANDED VIEW



WARNING!! Hercules is HOT during and after use. Do Not touch the Hercules heater core until after it has cooled off.

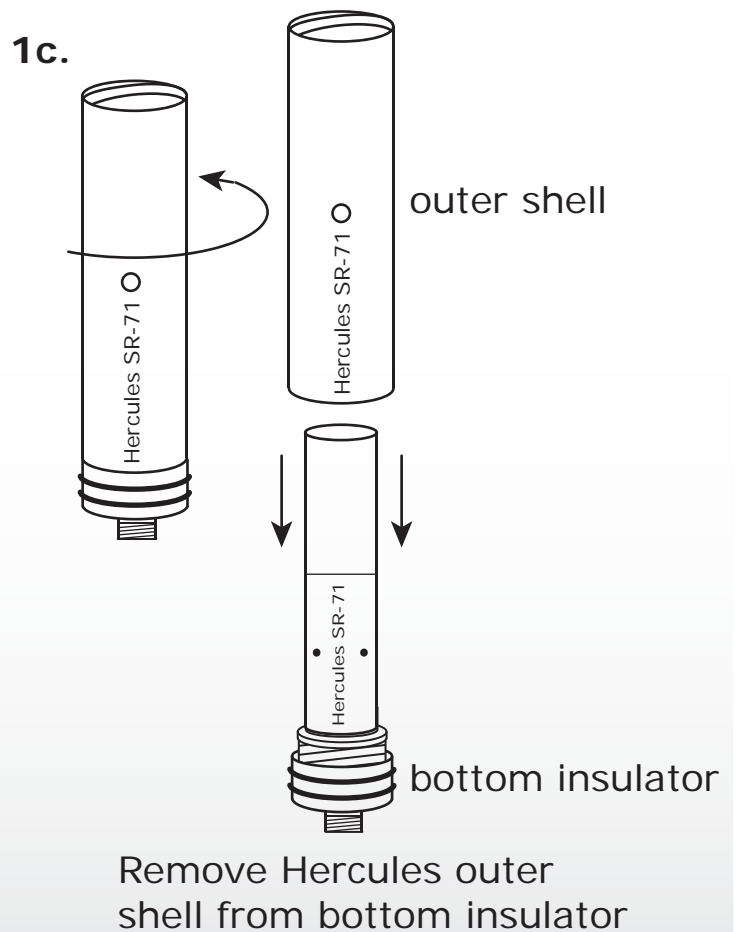
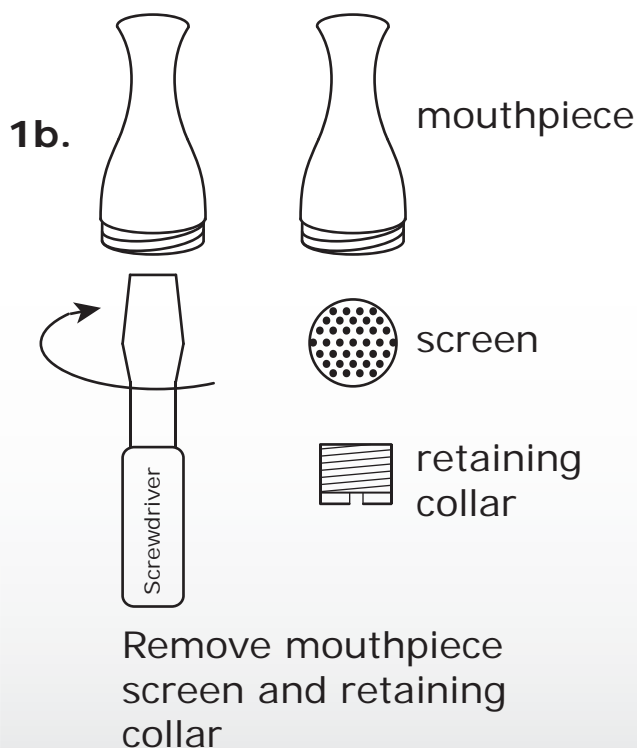
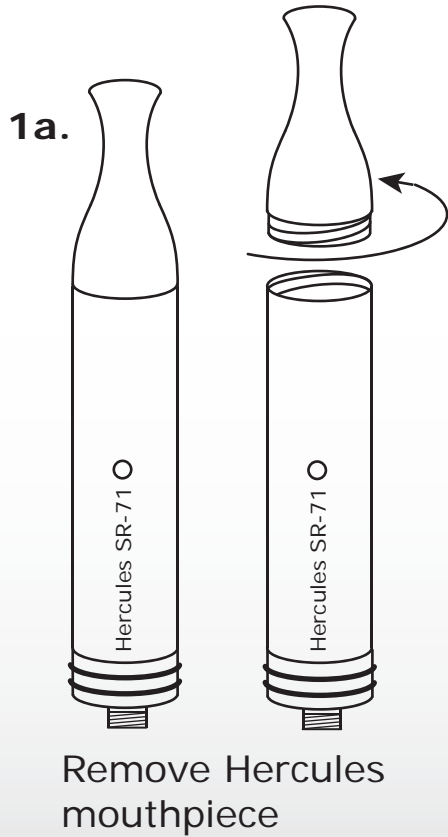


HERCULES SR-71 USER GUIDE

HERCULES SANITIZATION INSTRUCTIONS

Always sanitize a brand new Hercules SR-71 as well as after every 2 grams of extract have been run through it. If any threads have become locked due to vapor resin buildup, sanitization will free up all threads.

1. Disassemble your Hercules cartridge completely while paying close attention to how it was put together to make reassembly easier.

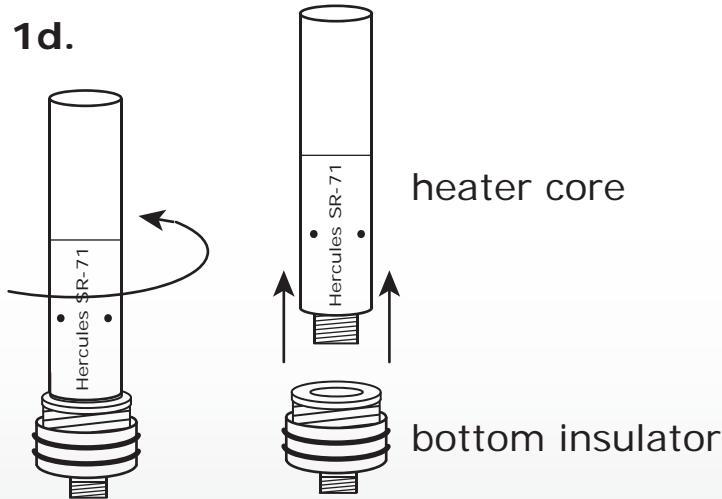




HERCULES SR-71 USER GUIDE

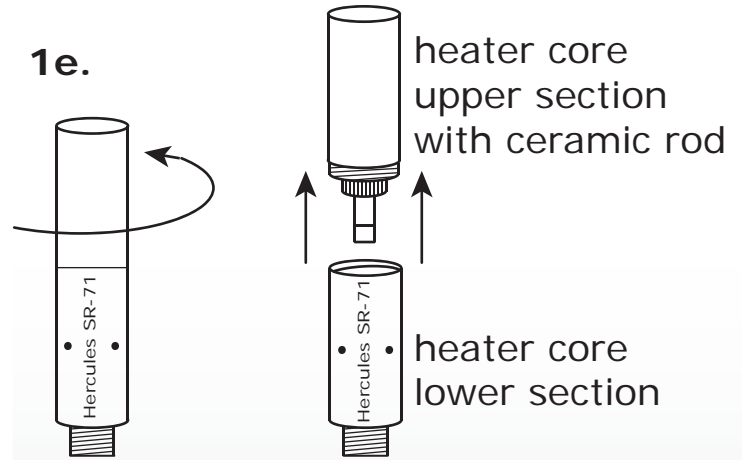
HERCULES SANITIZATION INSTRUCTIONS

1d.



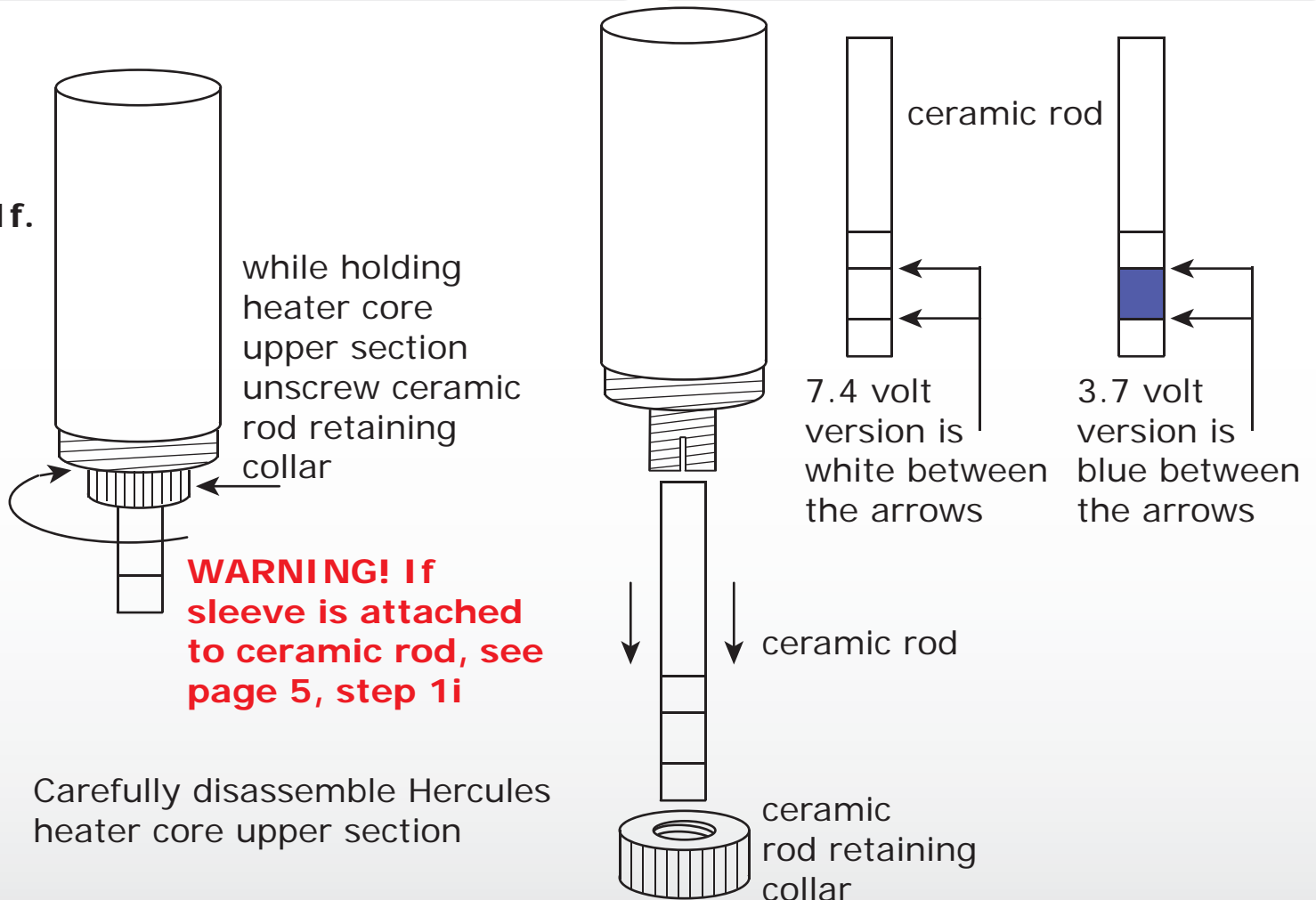
Remove Hercules heater core from bottom insulator

1e.



Unscrew Hercules heater core sections

1f.



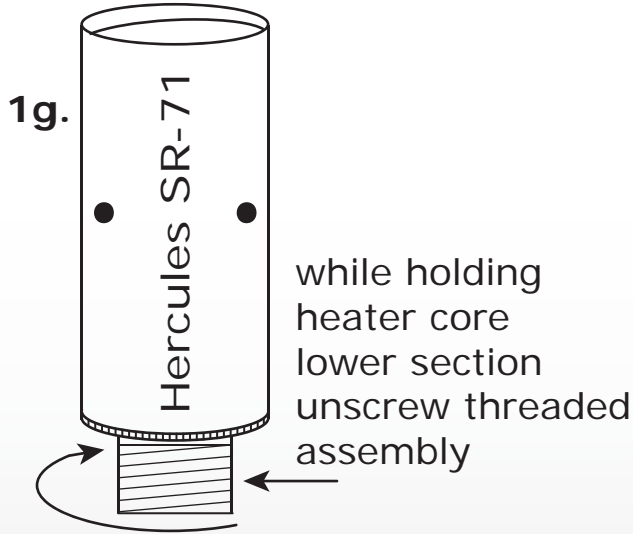
Carefully disassemble Hercules heater core upper section



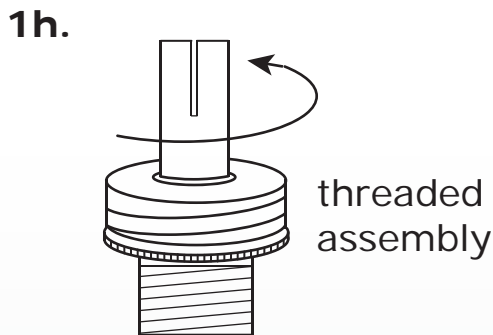
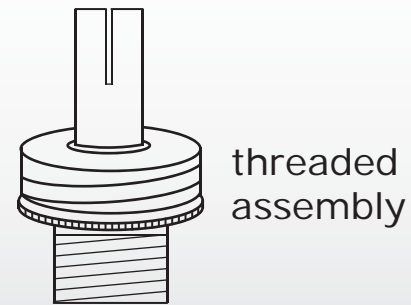
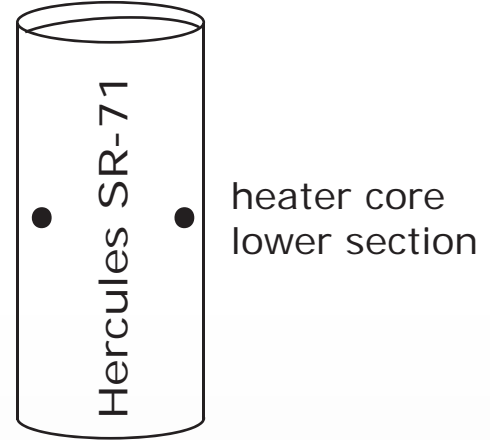


HERCULES SR-71 USER GUIDE

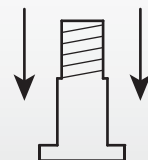
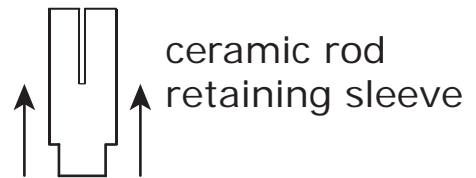
HERCULES SANITIZATION INSTRUCTIONS



Carefully disassemble Hercules heater core lower section



Carefully disassemble Hercules threaded assembly



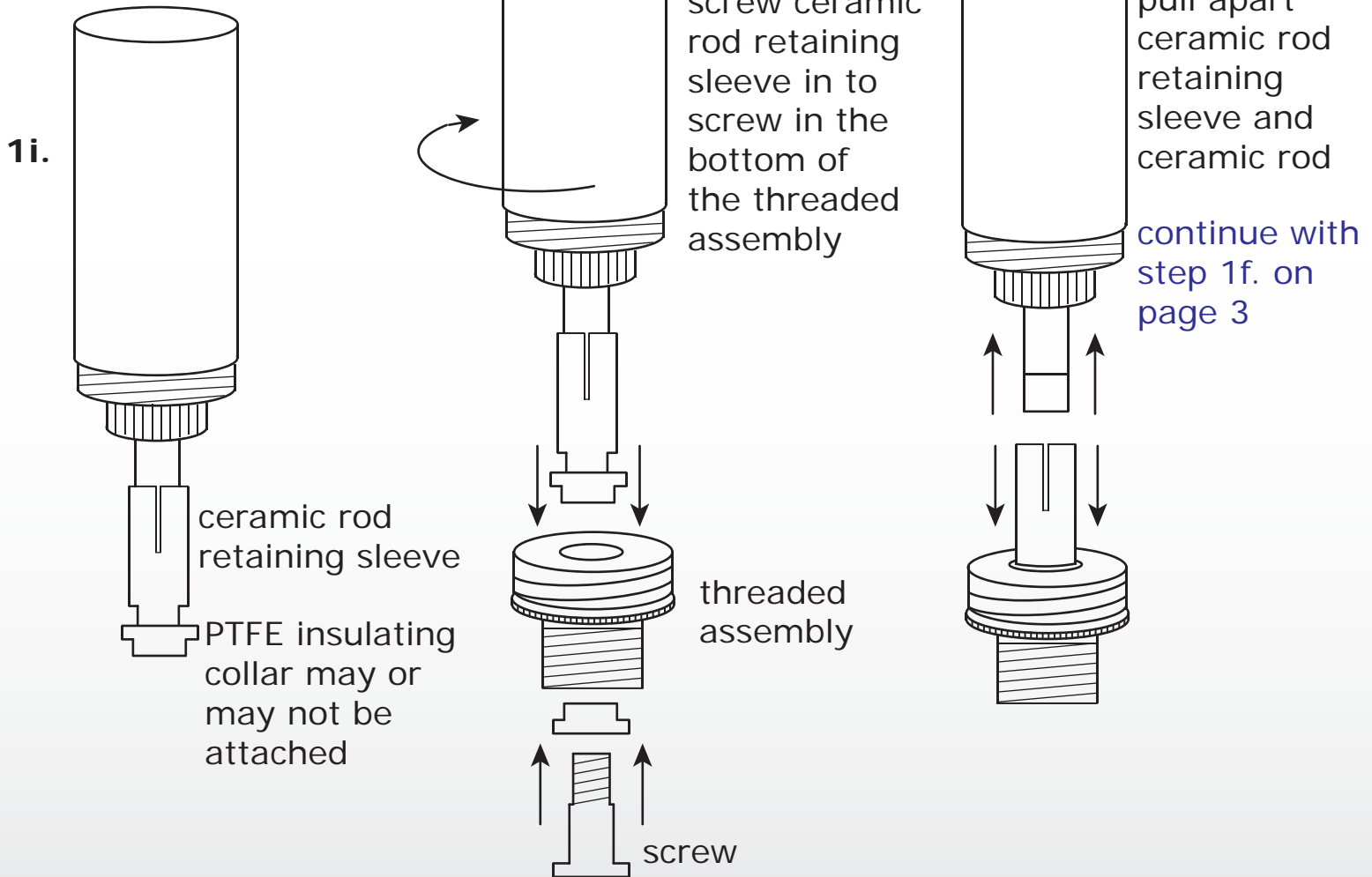
continue with step 2. on page 5





HERCULES SR-71 USER GUIDE

HERCULES SANITIZATION INSTRUCTIONS



2. Bring a full pot of distilled / RO / de mineralized water to a boil. Submerge all Hercules parts in boiling water for 5 minutes. Using a metal strainer to suspend parts in boiling water and avoid them touching the bottom of a hot pot is best and makes removal easy.

3. After 5 minutes of boiling, remove all Hercules parts from boiling water and allow to dry.



WARNING!! Hercules is HOT during and after use / boiling. Do Not touch the Hercules until after it has cooled off.



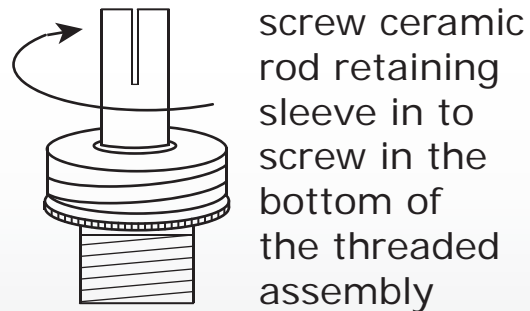
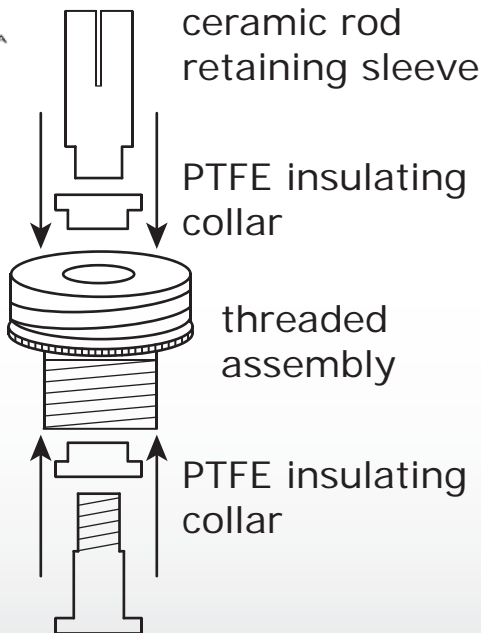


HERCULES SR-71 USER GUIDE

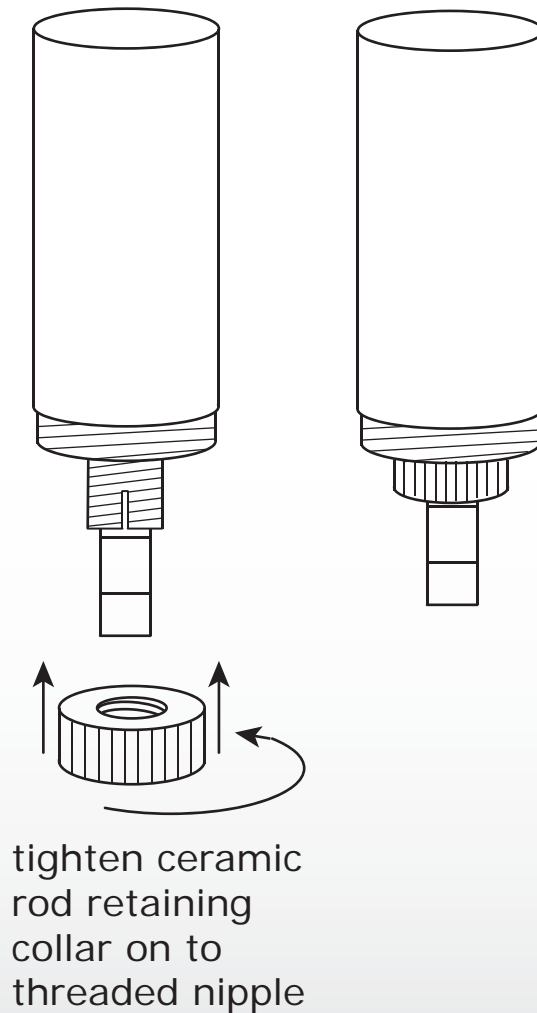
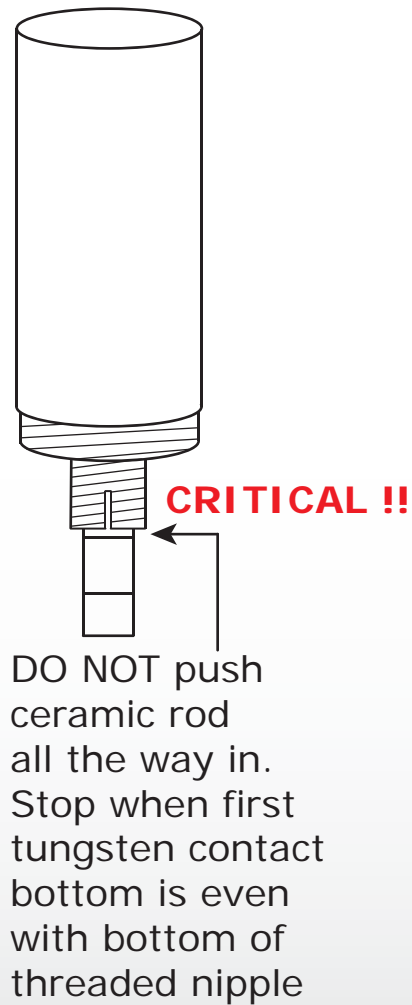
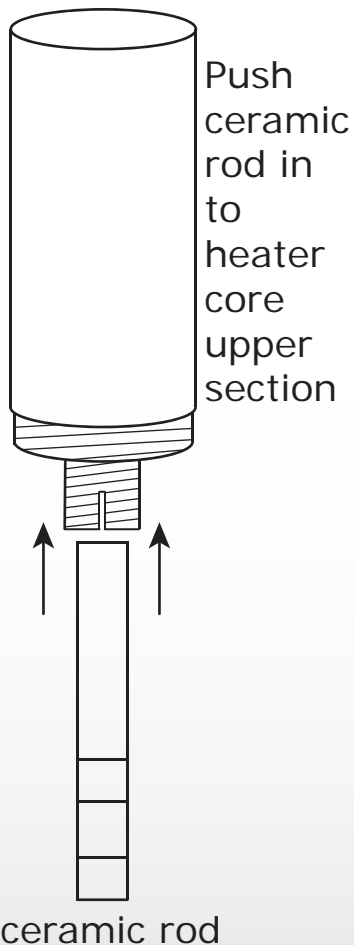
HERCULES ASSEMBLY INSTRUCTIONS

It is important to assemble your Hercules SR-71 correctly or damage may result. Follow these assembly instructions exactly to assemble your Hercules SR-71 correctly.

1a.
Carefully assemble Hercules threaded assembly



1b.

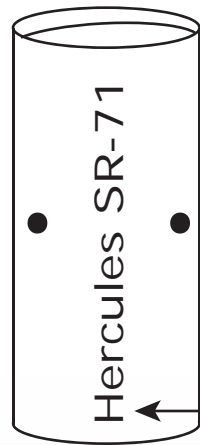




HERCULES SR-71 USER GUIDE

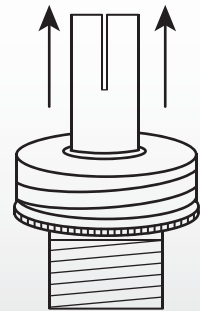
HERCULES ASSEMBLY INSTRUCTIONS

1c. Carefully assemble Hercules heater core lower section



heater core lower section

CRITICAL !!
make sure "H" of Hercules is facing the threaded assembly

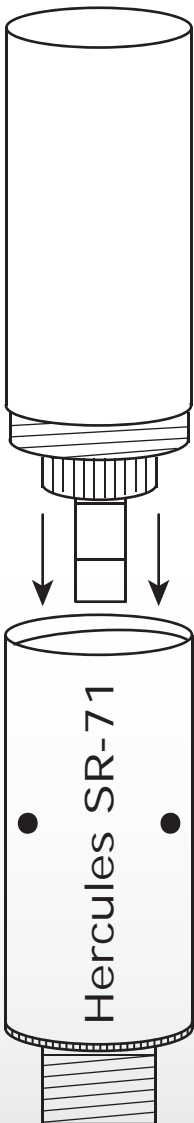


threaded assembly



while holding heater core lower section screw threaded assembly in to heater core lower section

1d.



heater core upper section with ceramic rod

gently insert ceramic rod in to ceramic rod retaining sleeve located in the heater core lower section

heater core lower section



Screw Hercules heater core sections together

while holding heater core upper section, screw lower heater core section in to upper section



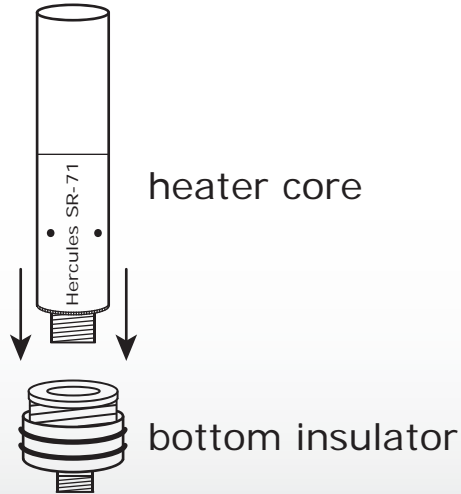


HERCULES SR-71 USER GUIDE

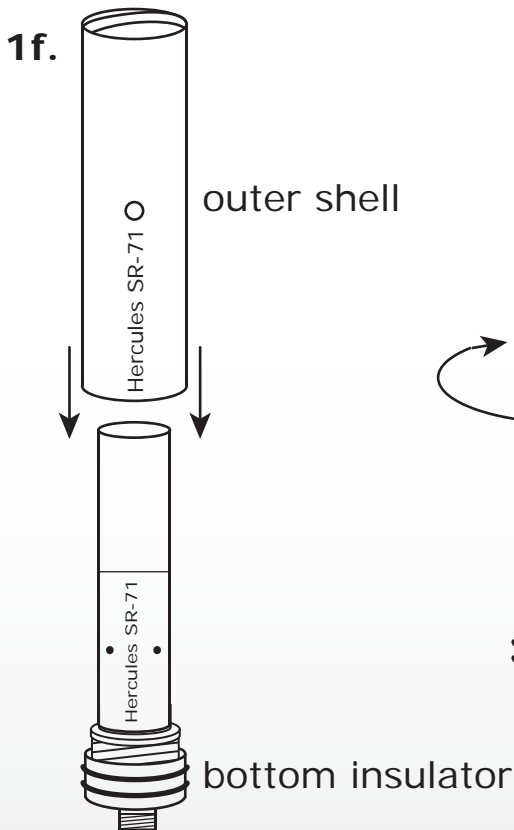
HERCULES ASSEMBLY INSTRUCTIONS

1e.

Screw Hercules heater core in to bottom insulator

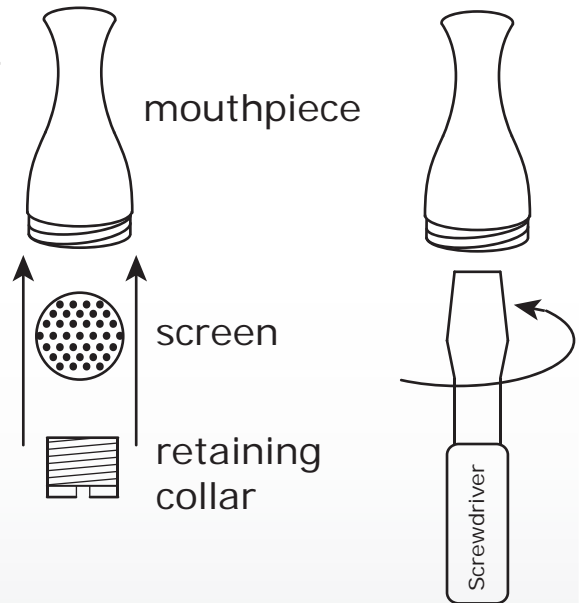


1f.



Attach Hercules outer shell to bottom insulator

1g.



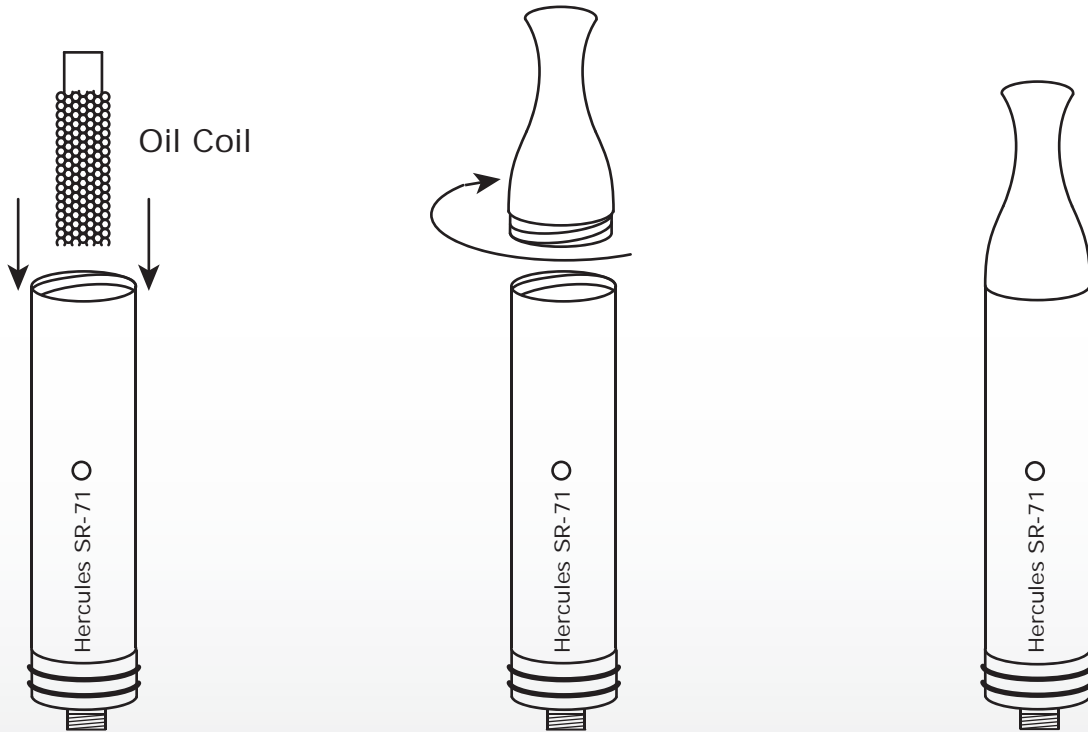
Assemble mouthpiece screen and retaining collar



HERCULES SR-71 USER GUIDE

HERCULES ASSEMBLY INSTRUCTIONS

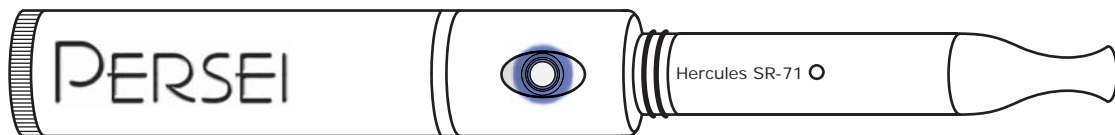
1h.



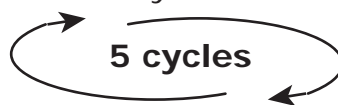
Insert Oil Coil
over ceramic rod

Attach Hercules
mouthpiece

1i. Attach Hercules SR-71 to Persei.



1j. Hold down the power button on the Persei for 20 seconds and then let cool for 20 seconds. Repeat for a minimum of 5 cycles or until all the moisture from sterilization procedure is depleted.



WARNING!! Hercules is HOT during and after use / boiling.
Do Not touch the Hercules until after it has cooled off.



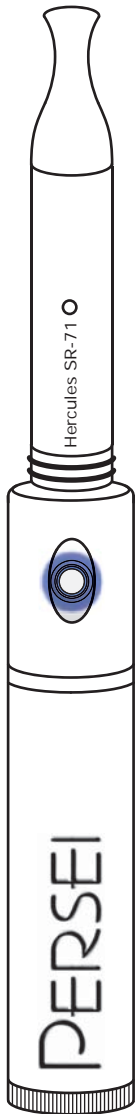
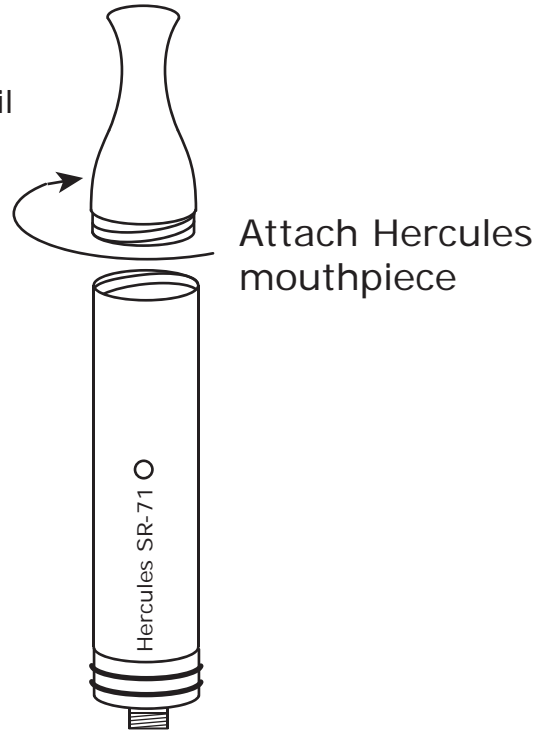
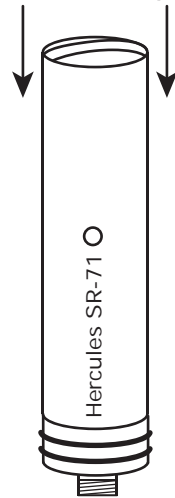


HERCULES SR-71 USER GUIDE

HERCULES EXTRACT USE INSTRUCTIONS

7.4v battery: use the Hercules SR-71 Herb and Oil Cartridge ONLY

1. Place .4 to .8 grams of extract on top of the Oil Coil avoiding the handle and replace mouthpiece.



2. Attach Hercules SR-71 to Persei and keep upright.

On a cold Hercules SR-71, hold the Persei power button for five seconds then start inhaling while continuing to press the power button.

On an already hot Hercules, start inhaling before pressing the power button.

In both cases, continue to inhale hard after releasing the power button to draw cool air in to cool down your extract.



WARNING!! Hercules is HOT during and after use.
Do Not touch the Hercules until after it has cooled off.

